

Spectra VIP™

VR Goggles with Headphones

Features

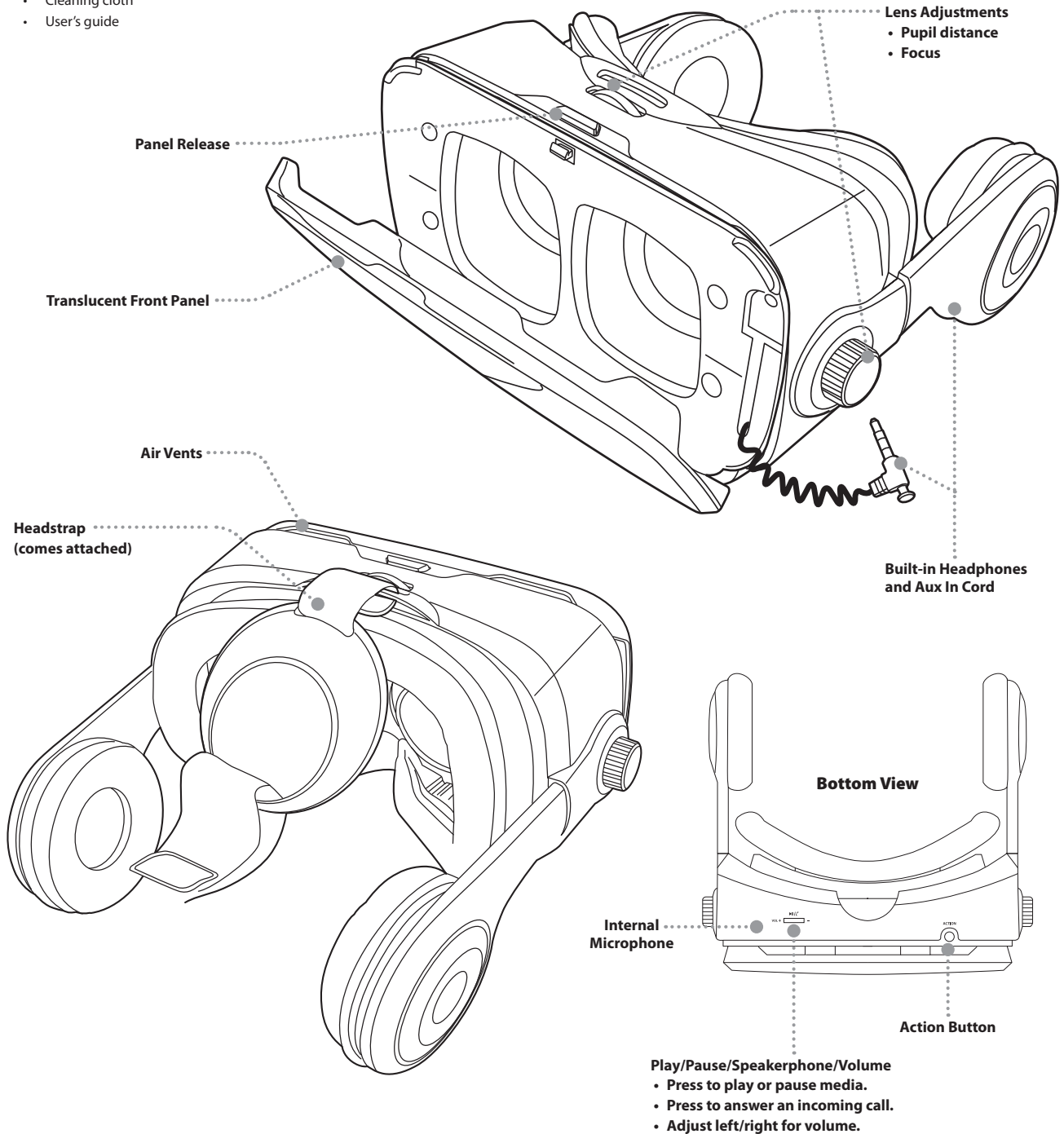
- Suitable for most smartphones 3.5-6"
- 3D video playback and support
- Action button
- Built-in microphone
- Built-in headphones and Aux In cord
- Aspheric optical lens
- Lens and focus adjustment
- FOV: 120 degrees
- Adjustable headstrap and foam pad

Includes

- Headstrap
- Cleaning cloth
- User's guide

Warnings and Precautions

- Wearing this device for prolonged periods may cause fatigue. Take breaks as needed.
- Virtual Reality apps may cause epileptic seizures in some people. This device is not intended for people suffering from epilepsy or people sensitive to seizures.
- Do not use while operating a motor vehicle, machinery or performing physical activities.
- Using this device may cause momentary loss of balance, only use in a safe area.
- Do not use while operating a motor vehicle or operating heavy machinery.
- Do not use while performing physical activities.
- **WARNING:** This product may contain chemicals known to the State of California to cause birth defects, or other reproductive harm (California Prop 65). Wash hands after handling.
- This product meets and complies with all Federal regulations.

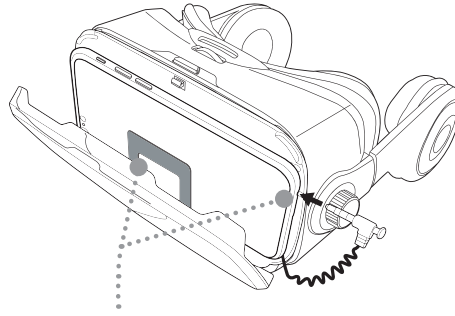
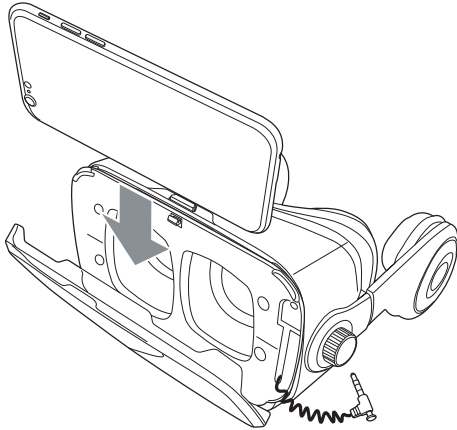


Download/Start App

Download a VR app from the Apple App Store or Google Play Store. Install and then start the app. Load your phone into the headset.
Be sure the app is set to display in VR mode (split screen).

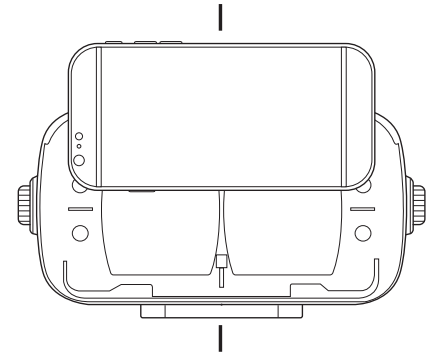
Load Phone into Headset

Press the Tray Release button to open the front panel.
Place your phone in the tray area between the headset and the holding bracket.



Make sure the phone holder bracket is pressing against the rear of your phone. Connect the Aux In cord to your phone to play audio through the headphones.

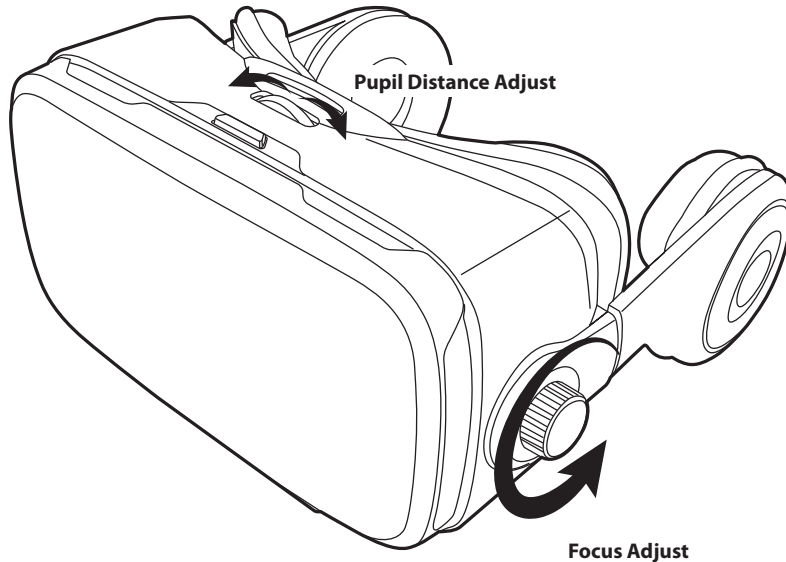
Note: A phone cover or case may interfere with the bracket, remove if necessary.



Align the center line of the phone's screen with the tick mark on the claw grip.

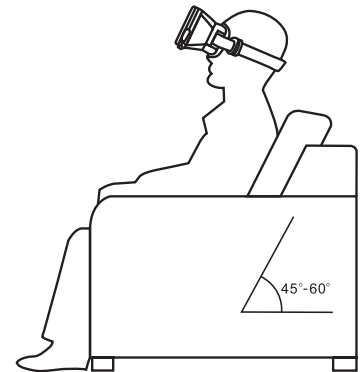
Adjust Headset

Put the headset on and adjust the headstrap and lenses for best fit.



Pupil Distance Adjust

Focus Adjust



Viewing Angle

When using the headset for an extended period of time, maintaining this angle will help reduce fatigue.

Cleaning

Use a cleaning cloth (included) as needed to keep the lenses clear. **Do not use harsh chemicals or solvents, as they may damage the unit and its parts.**

Product Registration:



Visit: www.HamiltonBuhl.com

1. Click on Customer Care
2. Click on Product Registration Icon
3. Please fill out all fields marked with * to register

Warranty:

Warranty begins the date item ships from our warehouse. All products have a one year warranty from original date of shipment, unless otherwise noted.



**Protect for Today
Sustain for Tomorrow**